



日揚國際事業股份有限公司  
JD Auspice Co., Ltd.

**DeltaOHM**  
Member of GHM GROUP

# Operating manual

## Pyranometer LPPYRA03



Companies / Brands of GHM

Members of GHM GROUP:

**GREISINGER**  
**HONSBURG**  
**Martens**  
**IMTRON**  
**DeltaOHM**  
**VAL.CO**

Keep for future reference.

note: subject to change without any notice, JDA pay no responsibility



## TABLE OF CONTENTS

<b>1</b>	<b>INTRODUCTION</b> .....	<b>3</b>
<b>2</b>	<b>WORKING PRINCIPLE</b> .....	<b>4</b>
<b>3</b>	<b>INSTALLATION</b> .....	<b>4</b>
<b>4</b>	<b>ELECTRICAL CONNECTIONS</b> .....	<b>8</b>
4.1	LPPYRA03 CONNECTIONS .....	8
4.2	LPPYRA03AC CONNECTIONS.....	9
4.3	LPPYRA03AV CONNECTIONS.....	9
4.4	LPPYRA03S CONNECTIONS.....	10
4.5	LPPYRA03S12 CONNECTIONS .....	11
<b>5</b>	<b>MEASUREMENT IN THE MODELS WITH ANALOG OUTPUT</b> .....	<b>12</b>
5.1	LPPYRA03 .....	12
5.2	LPPYRA03AC .....	12
5.3	LPPYRA03AV .....	12
<b>6</b>	<b>RS485 MODBUS-RTU OUTPUT</b> .....	<b>13</b>
6.1	SETTING THE COMMUNICATION PARAMETERS .....	13
6.2	READING THE MEASURES WITH THE MODBUS-RTU PROTOCOL .....	15
<b>7</b>	<b>SDI-12 OUTPUT</b> .....	<b>16</b>
<b>8</b>	<b>MAINTENANCE</b> .....	<b>20</b>
<b>9</b>	<b>TECHNICAL SPECIFICATIONS</b> .....	<b>21</b>
<b>10</b>	<b>SAFETY INSTRUCTIONS</b> .....	<b>22</b>
<b>11</b>	<b>ORDERING CODES</b> .....	<b>23</b>



## 1 INTRODUCTION

LPPYRA03 pyranometer measures the irradiance on a flat surface ( $W/m^2$ ). The measured irradiance (Global Irradiance) is the sum of direct solar irradiance and diffuse irradiance.

LPPYRA03 is a Second Class pyranometer in accordance with ISO 9060 and with the criteria of the WMO "Guide to Meteorological Instruments and Methods of Observation", seventh edition (2008).

The pyranometer is available in the following versions:

- **LPPYRA03:** The passive version can be connected to the instruments **PASSIVE** D09847 and HD31 by using VP 472 SICRAM module.
- **LPPYRA03AC:** ACTIVE with 4..20 mA CURRENT output
- **LPPYRA03AV:** ACTIVE with 0..1 or 0..5 or 0..10 V VOLTAGE output to be defined when ordering.
- **LPPYRA03S:** With RS485 Modbus-RTU output.
- **LPPYRA03S12:** With SDI-12 output.

The pyranometer is supplied factory calibrated and with a calibration report. The calibration is carried out in accordance with the ISO 9847:1992 (type IIc) standard: "Calibration of field pyranometers by comparison to a reference pyranometer". The pyranometer is calibrated by comparison with the reference sample calibrated annually at WRC (World Radiation Center).



## 2 WORKING PRINCIPLE

LPPYRA03 pyranometer is based on a thermopile sensor. The thermopile sensitive surface is coated with a black matt paint, which allows the pyranometer not to be selective at different wavelengths. The pyranometer spectral range is determined by the transmission of the glass dome type K5.

Radiant energy is absorbed by the thermopile black surface, thus creating a difference of temperature between the center of the thermopile (hot junction) and the pyranometer body (cold junction). Thanks to the Seebeck effect, the difference of temperature between hot and cold junction is converted into a Difference of Potential.

In order to grant the thermopile a proper thermal insulation from the wind and reduce the sensitivity to thermal irradiance, LPPYRA03 is equipped with a 4 mm thick dome which is 32 mm in outer diameter. The dome protects the thermopile from the dust, which might change spectral sensitivity if it lies on the black surface,

To prevent internal condensation forming on the internal side of the dome under certain climatic conditions, silica gel tablets are inserted inside the pyranometer to absorb humidity.

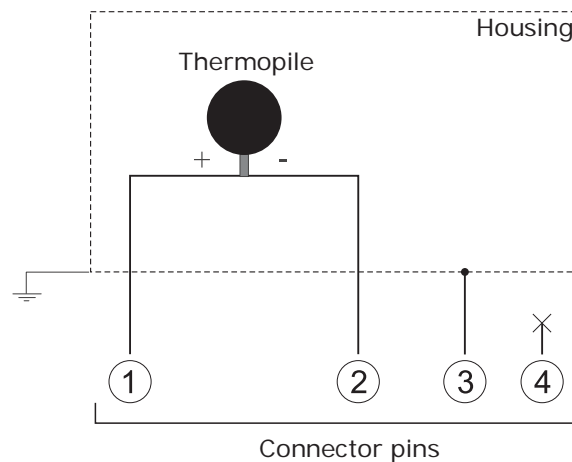


Fig. 2.1: scheme of principle LPPYRA03 (version with mV output)

### 3 INSTALLATION

- The pyranometer must be mounted in an easy-to-reach location in order to clean the dome regularly and carry out maintenance. At the same time, make sure that no buildings, constructions, trees or obstructions exceed the horizontal plane where the pyranometer lies. If this is not possible, select a site where obstructions in the path of the sun from sunrise to sunset do not exceed 5 degrees of elevation. **N.B.: The presence of obstructions on the horizon line affects significantly the measurement of direct irradiance.**
- The pyranometer must be located far from any kind of obstruction, which might reflect sunlight (or sun shadow) onto the pyranometer itself.
- In compliance with ISO TR9901 standard and WMO recommendations, when the pyranometer is used without the white shade disk, it must be positioned so that its connector is pointed to the North Pole, if the instrument is used in the Northern Hemisphere, and to the South Pole, if used in the Southern Hemisphere. In any case, it is better to follow this suggestion even when the shade disk is applied.
- For fixing, use the holes on the pyranometer body or the suitable accessories (see the figures below). In order to allow an accurate horizontal positioning, the pyranometer is equipped with a levelling device. The mast height does not exceed the pyranometer plane to avoid measurement errors caused by any reflection or shadow of the mast itself.
- It is preferably to thermally insulate the pyranometer from its mounting bracket ensuring, at the same time, a good electrical contact to ground.

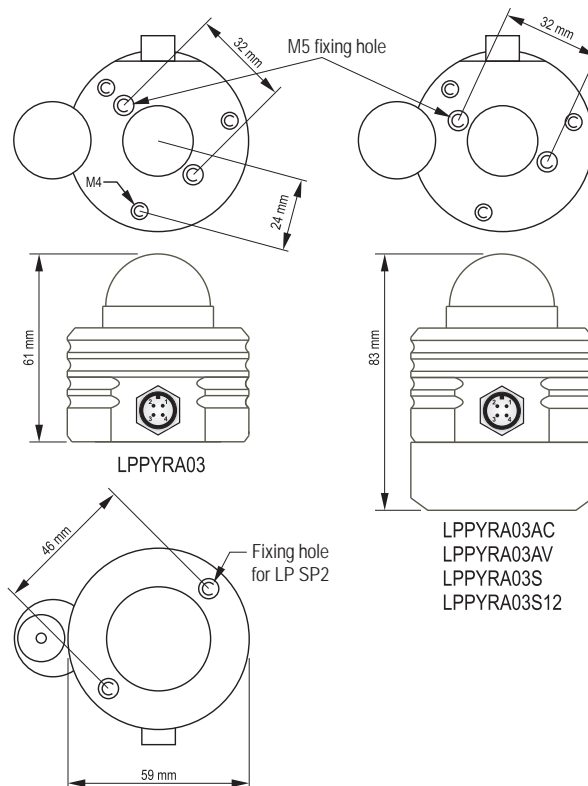


Fig. 3.1: fixing holes

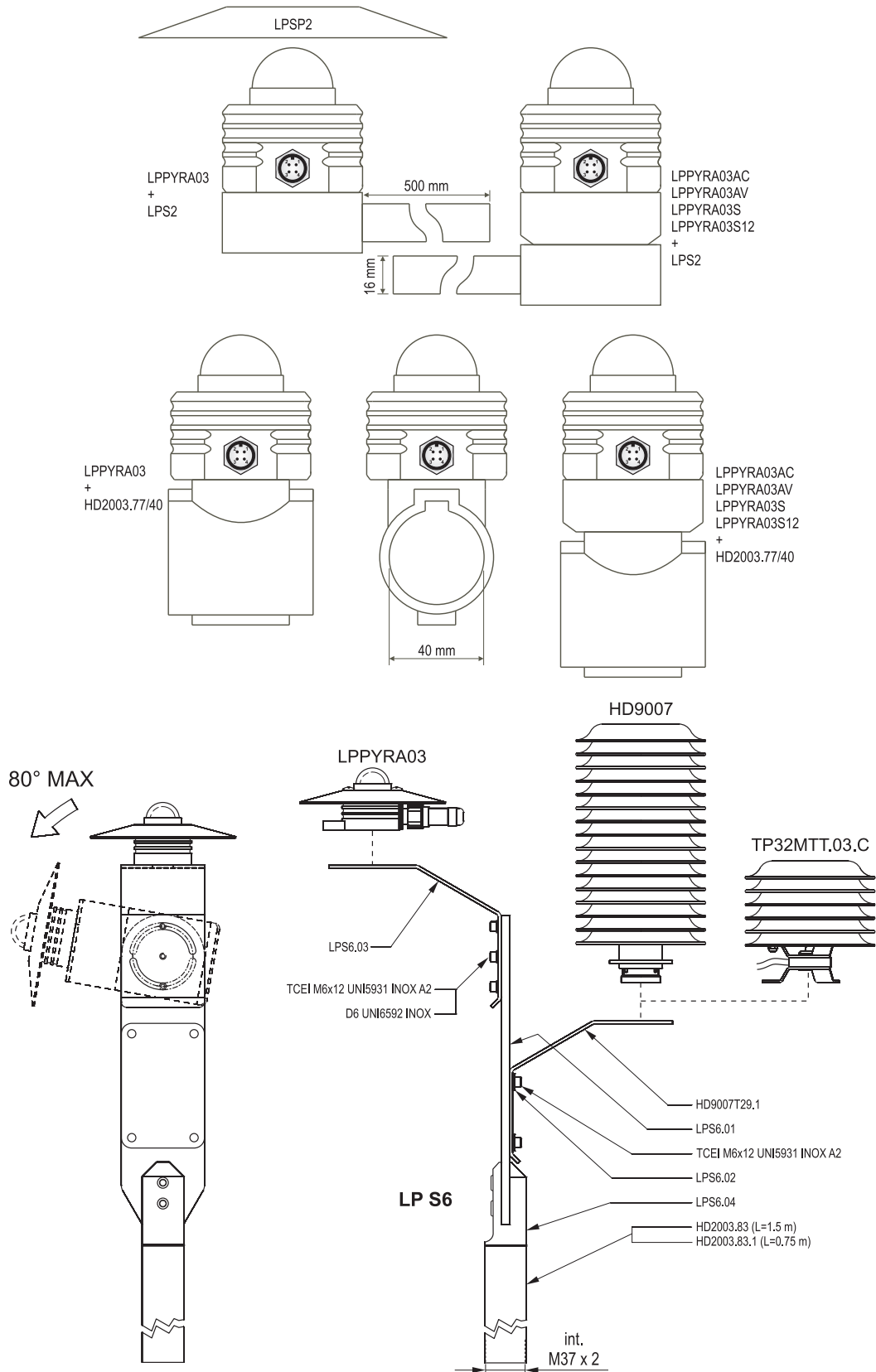


Fig. 3.2: fixing accessories

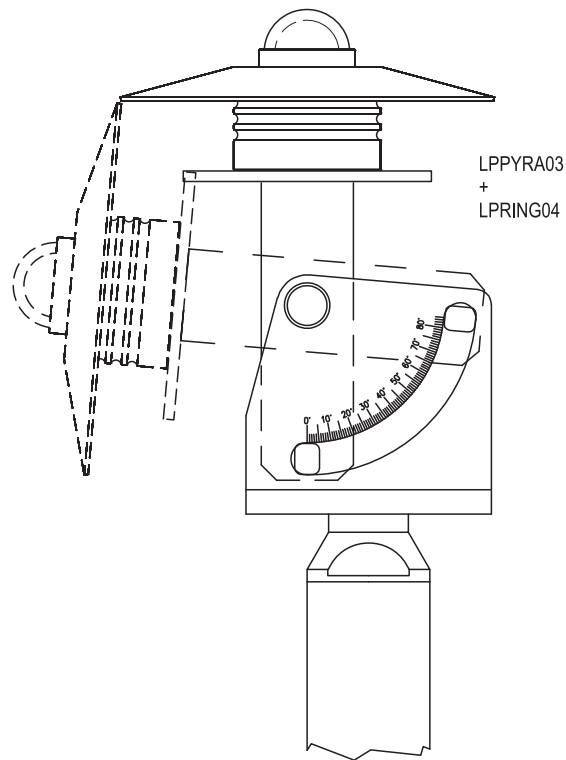
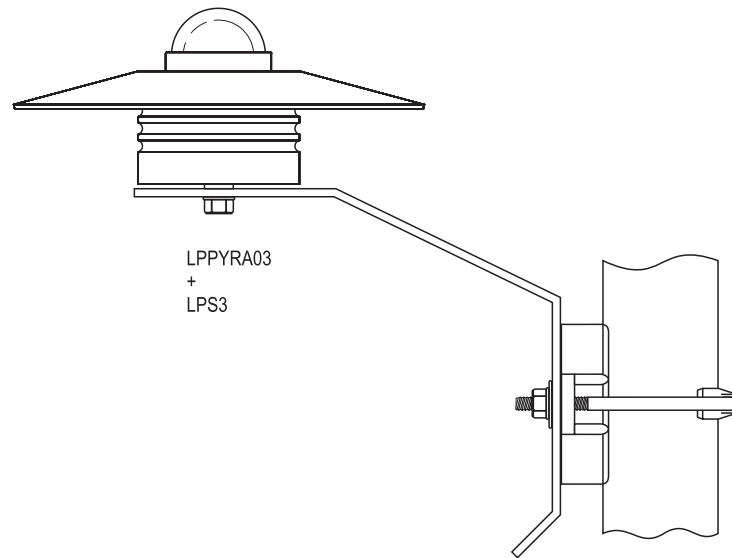


Fig. 3.3: fixing accessories



## 4 ELECTRICAL CONNECTIONS

**LPPYRA03**, **LPPYRA03AC** and **LPPYRA03AV** have a 4-pole connector and use the **CPM12AA4... optional** cables in UV resistant PTFE, with 4-pole connector on one side and open wires on the other side.

**LPPYRA03S** and **LPPYRA03S12** have a 8-pole connector and use the **CPM12-8D... optional** cables in UV resistant PTFE, with 8-pole connector on one side and open wires on the other side.



**The metallic housing of the pyranometer should preferably be grounded ( $\perp$ ) locally. In this case, do not connect the wire of the cable corresponding to the housing to prevent ground loops.**

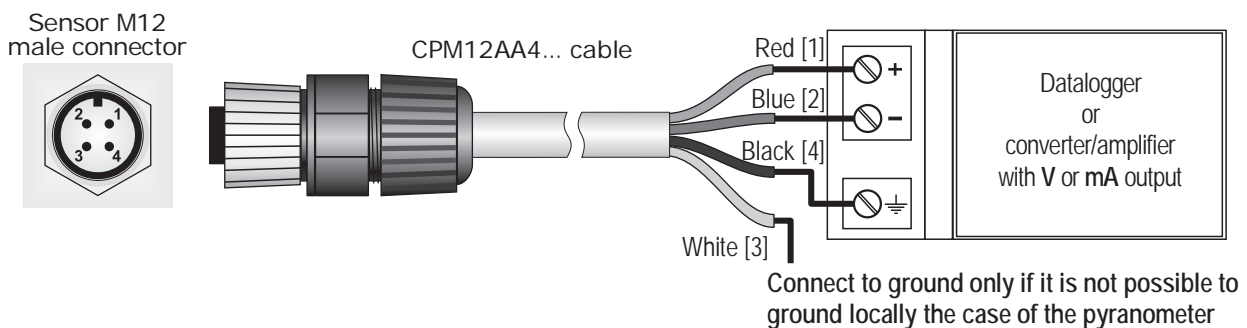
**Only if it is not possible to ground locally the metallic case of the pyranometer, connect the wire of the cable corresponding to the housing to ground ( $\perp$ ).**

The wire of the cable corresponding to the housing depends on the model: white wire in LPPYRA03 and LPPYRA03AC, black wire (cable shield) in LPPYRA03S and LPPYRA03S12. In LPPYRA03AV the housing is not connected directly to the connector.

### 4.1 LPPYRA03 CONNECTIONS

The pyranometer LPPYRA03 is passive and does not require power supply. It is to be connected either to a millivoltmeter or to a data acquisition system. Typically, the pyranometer output signal does not exceed 20 mV. In order to better exploit the pyranometer features, the readout instrument should have 1  $\mu$ V resolution.

Connector	Function	Color
1	Vout (+)	Red
2	Vout (-)	Blue
3	Housing	White
4	Cable shield	Black



**Fig. 4.1: LPPYRA03 connections**





#### 4.2 LPPYRA03AC CONNECTIONS

The pyranometer LPPYRA03AC has **4...20 mA** output and requires **10...30 Vdc** external power supply. It is to be connected to a power supply and an instrument with 4...20 mA input as shown in fig. 4.2. The load resistance of the instrument reading the signal must be  $\leq 500 \Omega$ .

Connector	Function	Color
1	Positive (Iin)	Red
2	Negative (Iout)	Blue
3	Housing	White
4	Cable shield	Black

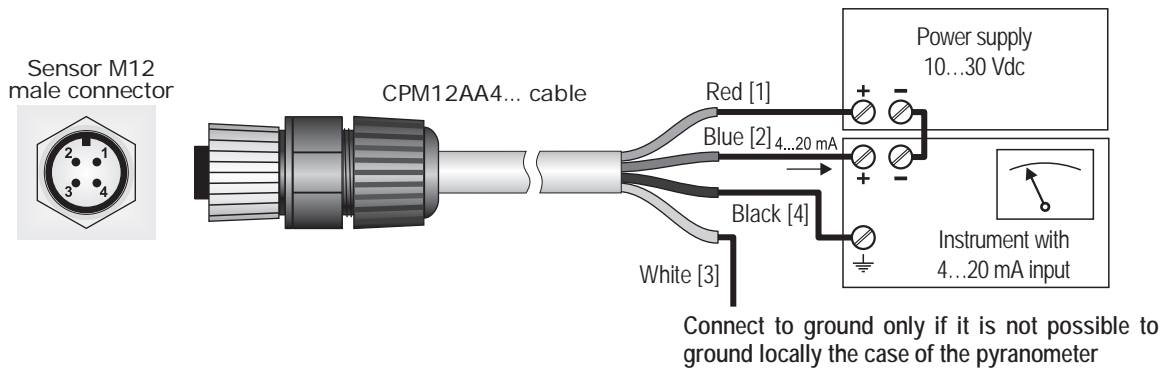


Fig. 4.2: LPPYRA03AC connections

#### 4.3 LPPYRA03AV CONNECTIONS

The pyranometer LPPYRA03AV has **0...1 V**, **0...5 V** or **0...10 V** output (depending on the ordered output) and requires external power supply: **10...30 Vdc** for 0...1 V and 0...5 V outputs, **15...30 Vdc** for 0...10 V output. It is to be connected to a power supply and an instrument with voltage input as shown in fig. 4.3. The load resistance of the instrument reading the signal must be  $\geq 100 k\Omega$ .

Connector	Function	Color
1	Output positive (+Vout)	Red
2	Output negative (-Vout) Power supply negative (GND)	Blue
3	Power supply positive (+Vdc)	White
4	Cable shield	Black

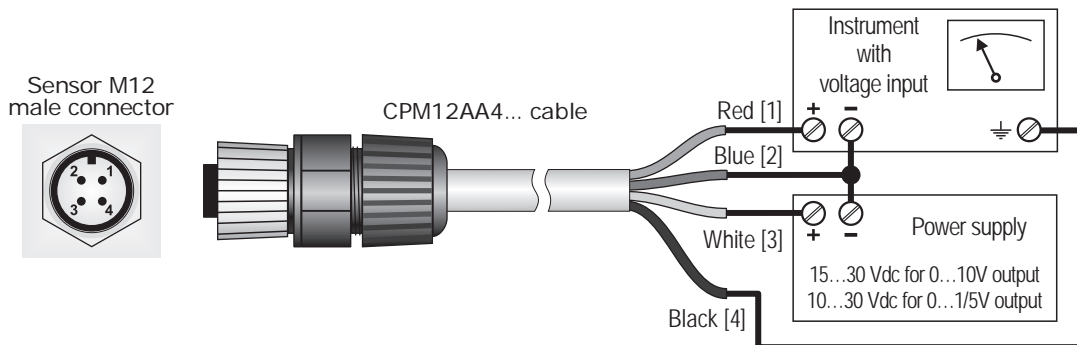
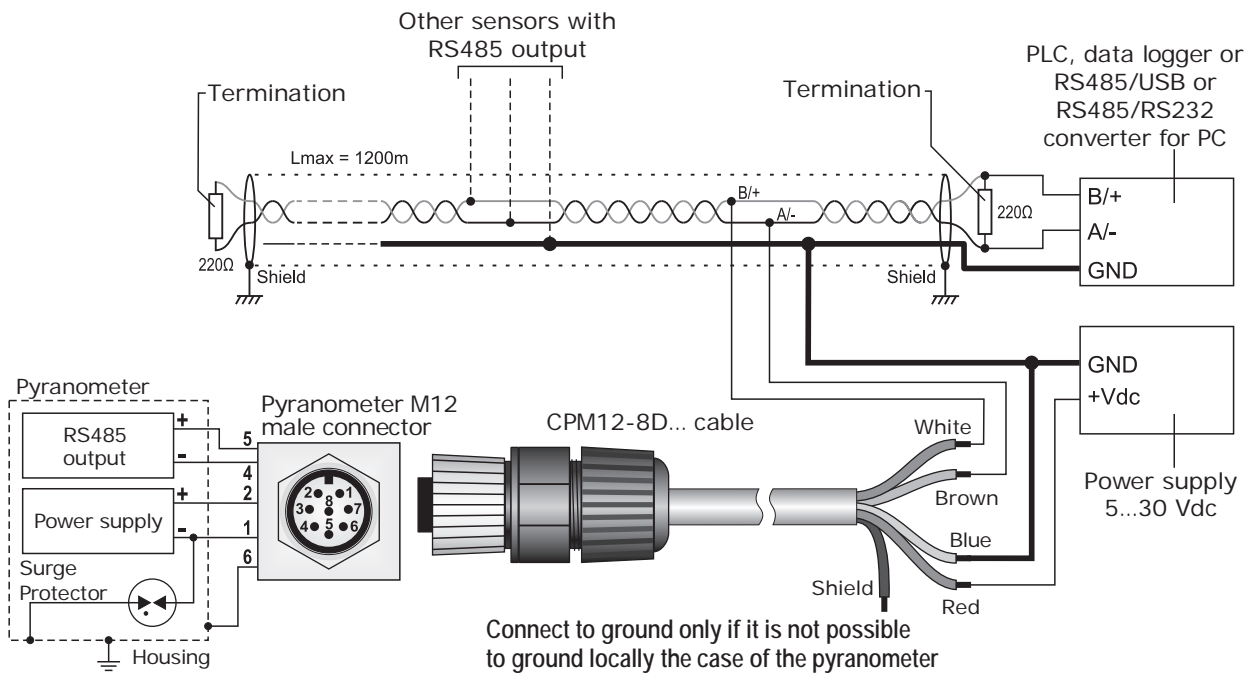


Fig. 4.3: LPPYRA03AV connections

#### 4.4 LPPYRA03S CONNECTIONS

The pyranometer LPPYRA03S has **RS485 Modbus-RTU** output and requires **5...30 Vdc** external power supply. It is to be connected to a power supply and to a PLC, a data logger or a RS485/USB or RS485/RS232 converter for PC as shown in fig. 4.4. The RS485 output is not isolated.

Connector	Function	Color
1	Power supply negative (GND)	Blue
2	Power supply positive (+Vdc)	Red
3	Not connected	
4	RS485 A/-	Brown
5	RS485 B/+	White
6	Housing	Shield (Black)
7	Not connected	
8	Not connected	



**Fig. 4.4: LPPYRA03S connections**

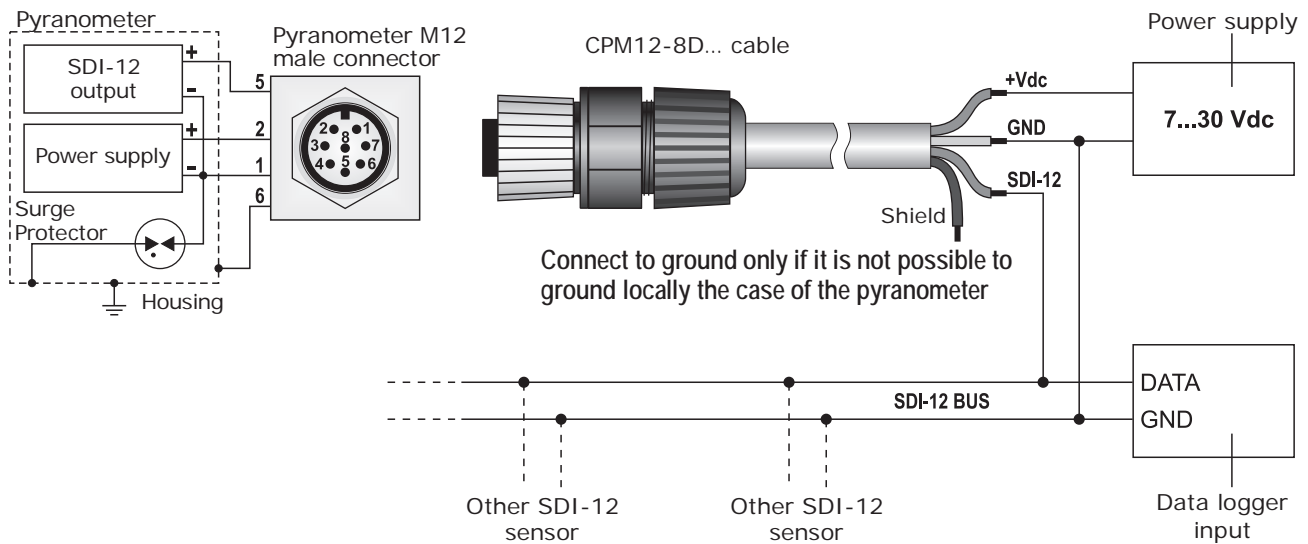
Before connecting the pyranometer to the RS485 network, set the address and the communication parameters, if different from the factory preset (see chapter 6).



#### 4.5 LPPYRA03S12 CONNECTIONS

The pyranometer LPPYRA03S12 has **SDI-12** output and requires **7...30 Vdc** external power supply. It is to be connected to a power supply and to an acquisition system (data logger) as shown in fig. 4.5.

Connector	Function	Cable color
1	Power supply negative (GND) SDI-12 output negative	Blue
2	Power supply positive (+Vdc)	Red
3	Not connected	
4	Not connected	
5	SDI-12 output positive	White
6	Housing	Shield (Black)
7	Not connected	
8	Not connected	



**Fig. 4.5: LPPYRA03S12 connections**

More SDI-12 sensors can be connected in parallel. The distance between a sensor and the acquisition system (data logger) should not exceed 60 m.

Due to its low power consumption ( $< 200 \mu\text{A}$ ), LPPYRA03S12 is particularly suitable for battery/solar panel-powered data acquisition systems.

Before connecting the instrument to an SDI-12 network containing other sensors, set the address by using the proper SDI-12 command (see chapter 7).



## 5 MEASUREMENT IN THE MODELS WITH ANALOG OUTPUT

Below are the ways to calculate the global irradiance in the models with analog output LPPYRA03, LPPYRA03AC and LPPYRA03AV.

### 5.1 LPPYRA03

Each pyranometer is distinguished by its own sensitivity (or calibration factor) **S** expressed in  $\mu\text{V}/(\text{Wm}^{-2})$  and shown in the label on the pyranometer (and in the calibration report).

The irradiance  $E_e$  is obtained by measuring with a multimeter the difference of potential **DDP** at the ends of the sensor and applying the following formula:

$$E_e = DDP / S$$

where:

$E_e$  is the irradiance expressed in  $\text{W}/\text{m}^2$ ;

**DDP** is the difference of potential expressed in  $\mu\text{V}$  measured by the multimeter;

**S** is the sensitivity of the pyranometer expressed in  $\mu\text{V}/(\text{Wm}^{-2})$ .

### 5.2 LPPYRA03AC

The 4...20 mA output signal corresponds to the 0...2000  $\text{W}/\text{m}^2$  irradiance range.

The irradiance  $E_e$  is obtained by measuring with a multimeter the current  $I_{out}$  absorbed by the sensor and applying the following formula:

$$E_e = 125 \cdot (I_{out} - 4)$$

where:

$E_e$  is the irradiance expressed in  $\text{W}/\text{m}^2$ ;

$I_{out}$  is the current expressed in mA absorbed by the pyranometer.

### 5.3 LPPYRA03AV

The output signal (0...1 V, 0...5 V or 0...10 V depending on the version) corresponds to the 0...2000  $\text{W}/\text{m}^2$  irradiance range.

The irradiance  $E_e$  is obtained by measuring with a multimeter the output voltage  $V_{out}$  of the sensor and applying the following formula:

$$E_e = 2000 \cdot V_{out} \quad \text{for the version 0...1 V}$$

$$E_e = 400 \cdot V_{out} \quad \text{for the version 0...5 V}$$

$$E_e = 200 \cdot V_{out} \quad \text{for the version 0...10 V}$$

where:

$E_e$  is the irradiance expressed in  $\text{W}/\text{m}^2$ ;

$V_{out}$  is the output voltage expressed in V measured by the multimeter.



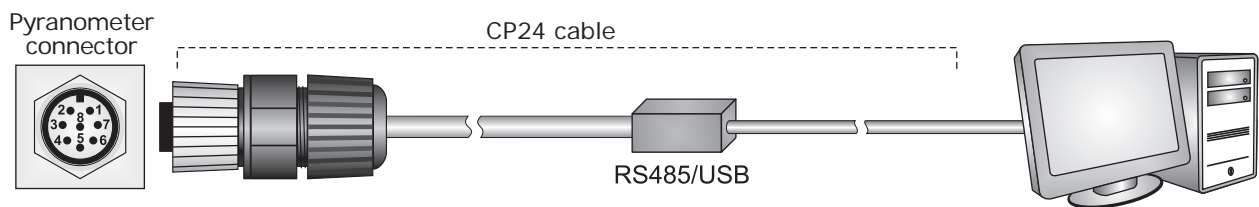
## 6 RS485 MODBUS-RTU OUTPUT

Before connecting the pyranometer to the RS485 network, an address must be assigned and the communication parameters must be set, if different from the factory preset.

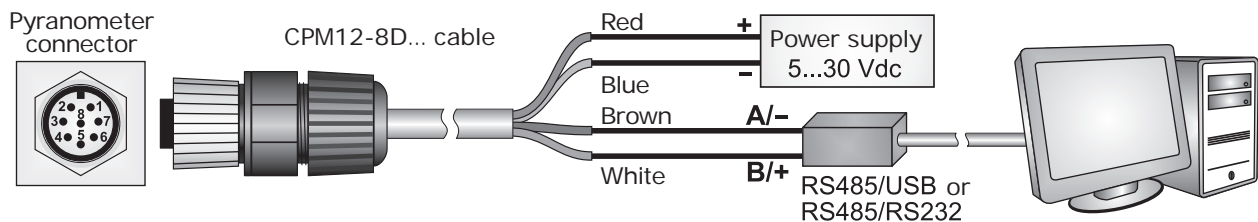
### 6.1 SETTING THE COMMUNICATION PARAMETERS

Connect the pyranometer to the PC in one of the following two ways:

- A.** By using the optional **CP24** cable, with built-in RS485/USB converter. In this connection mode, the sensor is powered by the PC USB port. To use the cable, it is necessary to install the related USB drivers in the PC.



- B.** By using the supplied 8-pole M12 female connector or the optional **CPM12-8D...** cable and a generic RS485/USB or RS485/RS232 converter. In this connection mode, it is necessary to power the pyranometer separately. If a RS485/USB converter is used, it is necessary to install the related USB drivers in the PC.



**NOTES ON THE INSTALLATION OF UNSIGNED USB DRIVER:** before installing unsigned USB driver into operating systems starting from Windows 7, it is necessary to restart the PC by disabling the driver signing request. If the operating system is 64-bit, even after installation the request of driver signing have to be disabled each time the PC is restarted.

#### Procedure:

1. Start with the pyranometer not powered (if the CP24 cable is used, disconnect one end of the cable).
2. In the PC, start a serial communication program. Set the Baud Rate to 57600 and set the communication parameters as follows (the pyranometer is connected to a COM type port):

Data Bits: 8  
Parity: None  
Stop Bits: 2

In the program, set the COM port number to which the pyranometer will be connected.

3. Switch the pyranometer on (if the CP24 cable is used, connect both ends of the cable).



- Wait until the pyranometer transmits the **&** character, then send (within 10 seconds from the pyranometer power on) the **@** command and press **Enter**.

*Note:* if the pyranometer does not receive the **@** command within 10 seconds from power on, the RS485 MODBUS mode is automatically activated. In such a case, it is necessary to switch off and on again the pyranometer.

- Send the command **CAL USER ON**.

*Note:* the command CAL USER ON is disabled after 5 minutes of inactivity.

- Send the serial commands given in the following table to set the RS485 MODBUS parameters:

Command	Response	Description
CMA <sub>nnn</sub>	&	Set RS485 address to nnn Ranging from 1 to 247 Preset on 1
CMB <sub>n</sub>	&	Set RS485 Baud Rate n=0 ⇒ 9600 n=1 ⇒ 19200 Preset on 1 ⇒ 19200
CMP <sub>n</sub>	&	Set RS485 transmission mode n=0 ⇒ 8-N-1 (8 data bits, no parity, 1 stop bit) n=1 ⇒ 8-N-2 (8 data bits, no parity, 2 stop bits) n=2 ⇒ 8-E-1 (8 data bits, even parity, 1 stop bit) n=3 ⇒ 8-E-2 (8 data bits, even parity, 2 stop bits) n=4 ⇒ 8-O-1 (8 data bits, odd parity, 1 stop bit) n=5 ⇒ 8-O-2 (8 data bits, odd parity, 2 stop bits) Preset on 2 ⇒ 8-E-1
CMW <sub>n</sub>	&	Set receiving mode after RS485 transmission n=0 ⇒ Violate protocol and go in Rx mode right after Tx n=1 ⇒ Respect protocol and wait 3.5 characters after Tx Preset on 1 ⇒ Respect the protocol

- You can check the parameters setting by sending the following serial commands:

Command	Response	Description
RMA	<i>Address</i>	Read RS485 address
RMB	<i>Baud Rate</i> (0,1)	Read RS485 Baud Rate 0 ⇒ 9600 1 ⇒ 19200
RMP	<i>Tx Mode</i> (0,1,2,3,4,5)	Read RS485 transmission mode 0 ⇒ 8-N-1 1 ⇒ 8-N-2 2 ⇒ 8-E-1 3 ⇒ 8-E-2 4 ⇒ 8-O-1 5 ⇒ 8-O-2
RMW	<i>Rx Mode</i> (0,1)	Read receiving mode after RS485 transmission 0 ⇒ Violate protocol and go in Rx mode right after Tx 1 ⇒ Respect protocol and wait 3.5 characters after Tx

*Note:* it is not required to send the CAL USER ON command to read the settings.



## 6.2 READING THE MEASURES WITH THE MODBUS-RTU PROTOCOL

In MODBUS mode, you can read the values measured by the pyranometer through the function code 04h (Read Input Registers). The following table lists the quantities available with the appropriate register address:

Number	Address	Quantity	Format
3	2	Solar radiation in W/m <sup>2</sup>	16-bit Integer
4	3	Status register: bit0=1 ⇒ solar radiation measurement error bit2=1 ⇒ configuration data error bit3=1 ⇒ program memory error	16-bit Integer
5	4	Average values of the last 4 measurements	16-bit Integer
6	5	Signal generated by the sensor in μV/10 [e.g.: 816 means 8160 μV, the resolution is 10 μV]	16-bit Integer

Note: Register address = Register number - 1, as defined in the Modbus standard.

**OPERATING MODE:** the pyranometer enters RS485 MODBUS-RTU mode after 10 seconds from power on. In the first 10 seconds from power on the pyranometer does not reply to requests from the MODBUS master unit. After 10 seconds, it is possible to send MODBUS requests to the pyranometer.



## 7 SDI-12 OUTPUT

The LPPYRA03S12 pyranometers are compatible with version 1.3 of SDI-12 protocol.

The protocol communication parameters are: Baud rate = 1200. Data bits = 7, Parity = Even, Stop bits = 1.

The communication with the instrument is performed by sending a command in the following form:

**<Address><Command>!**

with <Address> = address of the instrument the command is sent to  
<Command> = type of operation requested to the instrument

The instrument reply is as follows:

**<Address><Data><CR><LF>**

with <Address> = address of the instrument which replies  
<Data> = information sent by the instrument  
<CR> = ASCII character *Carriage Return*  
<LF> = ASCII character *Line Feed*

The sensors come with a factory address preset to 0. The address can be modified by using the proper SDI-12 command reported in the following table.

The following table reports the SDI-12 commands available. For consistency with SDI-12 standard documentation, the instrument address is indicated in the table with the letter **a**.

### SDI-12 Commands

Command	Instrument reply	Description
<b>a!</b>	a<CR><LF>	Verifies the presence of the instrument.
<b>a!</b>	allccccccmmmmmmvvvsssssss<CR><LF> with: a = address of the instrument (1 character) ll = SDI-12 compliant version (2 characters) ccccccc = manufacturer (8 characters) mmmmm = instrument model (6 characters) vvv = firmware version (3 characters) sssssss = serial number (8 characters)  ⇒ Example of response: 013DeltaOhmLP-PYRA0016051518 with: 0 = instrument address 13 = SDI-12 version 1.3 compliant DeltaOhm = manufacturer's name LP-PYR = instrument model A00 = firmware version A.0.0 16051518 = serial number	Requests for information from the instrument.
<b>aAb!</b> Where: b = new address	b<CR><LF>  Note: if the b character is not an acceptable address, the instrument responds with a instead of b.	Modification of the instrument address.





Command	Instrument reply	Description
?!  	a<CR><LF>	Request of the address of the instrument. If more than one sensor is connected to the bus, a conflict occurs.
<b>TYPE M (START MEASUREMENT) AND TYPE C (START CONCURRENT MEASUREMENT) COMMANDS</b>		
<b>Irradiance, signal internal level and internal temperature (if available)</b>		
<b>aM!</b> <b>aC!</b>	atttn<CR><LF> with: ttt = number of seconds necessary for the instrument to make the measure available (3 characters) n = number of detected variables (1 character for aM!, 2 characters for aC!) Note: ttt = 000 means datum immediately available.	Request to execute the measurement.
<b>aD0!</b>	a+n+w...w+v...v+t...t<CR><LF> with: n = content of the status register w...w = irradiance in W/m <sup>2</sup> v...v = signal internal level in mV t...t = internal temperature in the set unit of measurement (default °C) if the NTC temperature sensor is present, otherwise the fixed value 25 °C ⇒ Example of response: 0+0+228.7+3.294+25.0 probe address = 0 content of the status register = 0 irradiance = 228.7 W/m <sup>2</sup> signal internal level = 3.294 mV internal temperature or fixed value = 25.0 °C Note: the status register normally contains zero; a value different from zero indicates an error condition.	Reads the measurement.
<b>Irradiance and internal temperature (if available)</b>		
<b>aM1!</b> <b>aC1!</b>	atttn<CR><LF> with: ttt = number of seconds necessary for the instrument to make the measure available (3 characters) n = number of detected variables (1 character for aM1!, 2 characters for aC1!) Note: ttt = 000 means datum immediately available.	Request to execute the measurement.
<b>aD0!</b>	a+w...w+t...t<CR><LF> with: w...w = irradiance in W/m <sup>2</sup> t...t = internal temperature in the set unit of measurement (default °C) if the NTC temperature sensor is present, otherwise the fixed value 25 °C ⇒ Example of response: 0+228.7+25.0 probe address = 0 irradiance = 228.7 W/m <sup>2</sup> internal temperature or fixed value = 25.0 °C	Reads the measurement.



Command	Instrument reply	Description
<b>Internal temperature (if available)</b>		
<b>aM2!</b> <b>aC2!</b>	atttn<CR><LF> with: ttt = number of seconds necessary for the instrument to make the measure available (3 characters) n = number of detected variables (1 character for aM2!, 2 characters for aC2!) Note: ttt = 000 means datum immediately available.	Request to execute the measurement.
<b>aD0!</b>	a+t...t<CR><LF> with t...t = internal temperature in the set unit of measurement (default °C) if the NTC temperature sensor is present, otherwise the fixed value 25 °C ⇒ Example of response: 0+25.0 probe address = 0 internal temperature or fixed value = 25.0 °C	Reads the measurement.
<b>Signal internal level</b>		
<b>aM3!</b> <b>aC3!</b>	atttn<CR><LF> with: ttt = number of seconds necessary for the instrument to make the measure available (3 characters) n = number of detected variables (1 character for aM3!, 2 characters for aC3!) Note: ttt = 000 means datum immediately available.	Request to execute the measurement.
<b>aD0!</b>	a+v...v<CR><LF> with v...v = signal internal level in mV ⇒ Example of response: 0+3.294 probe address = 0 signal internal level = 3.294 mV	Reads the measurement.

In addition to the above-mentioned commands, the sensor also implements the corresponding commands with CRC, that require to add a 3-character CRC code at the end of the reply before <CR><LF>. The format of these commands is obtained from the previous by adding the letter C: aMC!, aMC1!, aMC2!, aMC3!, aCC!, aCC1!, aCC2!, aCC3!. The sensor **does not** implement the type R (Continuous Measurements) commands.

#### Extended SDI-12 Commands

Command	Instrument reply	Description
<b>aXSCAL USER ON!</b>	a> USER ENABLED!<CR><LF>	Enables the configuration mode.
<b>aXSCFD!</b>	a> &<CR><LF>	Sets °C as temperature unit of measurement.
<b>aXSCFE!</b>	a> &<CR><LF>	Sets °F as temperature unit of measurement.
<b>aXSCAL END!</b>	a> LOCKED!<CR><LF>	Disables the configuration mode.



The extended commands allow setting the temperature unit of measurement (if the temperature sensor is present). To change the unit of measurement:

- 1) Send the command **aXSCAL USER ON!** (note: **a**=instrument address).
- 2) Send the command **aXSCFD!** (to set °C) or **aXSCFE!** (to set °F).
- 3) Send the command **aXSCAL END!**

For more information about the SDI-12 protocol, visit the website "[www.sdi-12.org](http://www.sdi-12.org)".



## 8 MAINTENANCE

In order to grant measurements high accuracy, it is important to keep the outer glass dome clean. Consequently, the more the dome will be kept clean, the more measurements will be accurate.

You can wash it using water and standard papers for lens. If necessary, use pure ETHYL alcohol. After using alcohol, clean again the dome with water only.

To exploit all the pyranometer features, it is highly recommended that the calibration be checked annually.



## 9 TECHNICAL SPECIFICATIONS

<b>Sensor</b>	Thermopile
<b>Typical sensitivity</b>	5 ÷ 15 $\mu\text{V}/\text{Wm}^{-2}$
<b>Impedance</b>	33 ÷ 45 $\Omega$
<b>Measuring range</b>	0 ÷ 2000 $\text{W}/\text{m}^2$
<b>Viewing angle</b>	2 $\pi$ sr
<b>Spectral range (50%)</b>	300 ÷ 2800 nm
<b>Operating temperature/humidity</b>	-40 ÷ 80 °C / 0 ÷ 100%
<b>Output</b>	Analog in $\mu\text{V}/\text{Wm}^{-2}$ (LP PYRA03) Analog 4 ÷ 20 mA (LPPYRA03AC) Analog 0 ÷ 1 V, 0 ÷ 5 V or 0 ÷ 10 V (LPPYRA03AV) Digital RS485 Modbus-RTU (LPPYRA03S) Digital SDI-12 (LPPYRA03S12)
<b>Power supply</b>	10 ÷ 30 Vdc (LPPYRA03AC and LPPYRA03AV with 0 ÷ 1 V and 0 ÷ 5 V output) 15 ÷ 30 Vdc (LPPYRA03AV with 0 ÷ 10 V output) 5 ÷ 30 Vdc (LPPYRA03S) 7 ÷ 30 Vdc (LPPYRA03S12)
<b>Consumption</b>	< 200 $\mu\text{A}$ for the version LPPYRA03S12
<b>Connection</b>	4-pole M12 connector (LPPYRA03, LPPYRA03AC and LPPYRA03AV) 8-pole M12 connector (LPPYRA03S and LPPY- RA03S12)
<b>Dimensions</b>	Fig. 3.1
<b>Weight</b>	0.45 kg
<b>Accuracy of levelling device</b>	< 0.2°
<b>Protection degree</b>	IP 67
<b>MTBF</b>	> 10 years

### Technical Specifications According to ISO 9060

<b>Response time (95%)</b>	< 30 s
<b>Zero offset</b>	
a) response to a 200 $\text{W}/\text{m}^2$ thermal radiation	< 25 $\text{W}/\text{m}^2$
b) response to a 5 K/h change in ambiente temperature	<   $\pm 6$   $\text{W}/\text{m}^2$
<b>Long-term instability (1 year)</b>	<   $\pm 2.5$   %
<b>Non-linearity</b>	<   $\pm 2$   %
<b>Response according to the cosine law</b>	<   $\pm 22$   $\text{W}/\text{m}^2$
<b>Spectral selectivity</b>	<   $\pm 7$   %
<b>Temperature response (-10...+40°C)</b>	< 8 %
<b>Tilt response</b>	<   $\pm 4$   %



## 10 SAFETY INSTRUCTIONS

### General safety instructions

The instrument has been manufactured and tested in accordance with the safety standard EN61010-1:2010 "Safety requirements for electrical equipment for measurement, control and laboratory use" and has left the factory in perfect safety technical conditions.

The instrument proper operation and operating safety can be ensured only if all standard safety measures as well as the specific measures described in this manual are followed.

The instrument proper operation and operating safety can be ensured only in the climatic conditions specified in this manual.

Do not use the instruments in places where there are:

- Corrosive or flammable gases.
- Direct vibrations or shocks to the instrument.
- High-intensity electromagnetic fields, static electricity.

### User obligations

The instrument operator shall follow the directives and regulations below that refer to the treatment of dangerous materials:

- EEC directives on workplace safety.
- National law regulations on workplace safety.
- Accident prevention regulations.



## 11 ORDERING CODES

<b>LPPYRA03</b>	Second class pyranometer according to ISO 9060. Complete with levelling device, M12 4-pole connector and Calibration Report. <b>LPSP2 shade disk and CPM12AA4... cable have to be ordered separately.</b>
<b>LPPYRA03AC</b>	Second class pyranometer according to ISO 9060. Complete with levelling device, M12 4-pole connector and Calibration Report. <b>Output 4...20 mA.</b> Power supply 10...30 Vdc. <b>LPSP2 shade disk and CPM12AA4... cable have to be ordered separately.</b>
<b>LPPYRA03AV</b>	Second class pyranometer according to ISO 9060. Complete with levelling device, M12 4-pole connector and Calibration Report. <b>Output 0...1 Vdc, 0...5 Vdc or 0...10 Vdc (to be defined when ordering).</b> Power supply 10...30 Vdc for the versions with output 0...1 Vdc and 0...5 Vdc, 15...30 Vdc for the version with output 0...10 Vdc. <b>LPSP2 shade disk and CPM12AA4... cable have to be ordered separately.</b>
<b>LPPYRA03S</b>	Second class pyranometer according to ISO 9060. Complete with levelling device, M12 8-pole connector and Calibration Report. <b>RS485 Modbus-RTU output.</b> Power supply 5...30 Vdc. <b>LPSP2 shade disk and CPM12-8D... cable have to be ordered separately.</b>
<b>LPPYRA03S12</b>	Second class pyranometer according to ISO 9060. Complete with levelling device, M12 8-pole connector and Calibration Report. <b>SDI-12 output.</b> Power supply 7...30 Vdc. <b>LPSP2 shade disk and CPM12-8D... cable have to be ordered separately.</b>
<b>LPSP2</b>	Shade disk.
<b>LPS2</b>	Kit including a fixing base for the pyranometer and a $\varnothing$ 16 x 500 mm rod.
<b>LPS3</b>	Fixing bracket for the pyranometer, suitable for $\varnothing$ 40 ÷ 50 mm mast. Installation on horizontal or vertical mast.
<b>LPRING04</b>	Adjustable holder for mounting the pyranometer in an inclined position on $\varnothing$ 40 mm mast with internal thread.
<b>HD2003.79K</b>	Kit to mount the pyranometer on $\varnothing$ 40 mm clamping. To install the pyranometer on a transverse mast.
<b>LPS6</b>	Kit for the installation of the pyranometer, including: 750 mm mast (HD2003.83.1), base fitting (LPS6.04), graduated support plate (LPS6.01), bracket for pyranometers (LPS6.03).
<b>CPM12AA4.2</b>	Cable with 4-pole M12 connector on one end, open wires on the other end. Length 2 m.
<b>CPM12AA4.5</b>	Cable with 4-pole M12 connector on one end, open wires on the other end. Length 5 m.
<b>CPM12AA4.10</b>	Cable with 4-pole M12 connector on one end, open wires on the other end. Length 10 m.
<b>CPM12-8D.2</b>	Cable with 8-pole M12 connector on one end, open wires on the other end. Length 2 m.



- CPM12-8D.5** Cable with 8-pole M12 connector on one end, open wires on the other end. Length 5 m.
- CPM12-8D.10** Cable with 8-pole M12 connector on one end, open wires on the other end. Length 10 m.
- CP24** PC connecting cable for the RS485 MODBUS parameters configuration of the LPPYRA...S pyranometers. With built-in RS485/USB converter. 8-pole M12 connector on instrument side and A-type USB connector on PC side.
- LPRING13** Ring base for measuring the diffused radiation.

**DELTA OHM metrology laboratories LAT N° 124 are ISO/IEC 17025 accredited by ACCREDIA for Temperature, Humidity, Pressure, Photometry / Radiometry, Acoustics and Air Velocity. They can supply calibration certificates for the accredited quantities.**





**DICHIARAZIONE DI CONFORMITÀ UE  
EU DECLARATION OF CONFORMITY**

**Delta Ohm S.r.L. a socio unico – Via Marconi 5 – 35030 Caselle di Selvazzano – Padova – ITALY**

Documento Nr. / Mese.Anno: **5082 / 10.2017**  
Document-No. / Month. Year :

Si dichiara con la presente, in qualità di produttore e sotto la propria responsabilità esclusiva, che i seguenti prodotti sono conformi ai requisiti di protezione definiti nelle direttive del Consiglio Europeo:  
*We declare as manufacturer herewith under our sole responsibility that the following products are in compliance with the protection requirements defined in the European Council directives:*

Codice prodotto:  
Product identifier : **LPPYRA03 – LPPYRA03AC – LPPYRA03AV  
LPPYRA03S – LPPYRA03S12**

Descrizione prodotto:  
Product description : **Piranometro  
Pyranometer**

I prodotti sono conformi alle seguenti Direttive Europee:  
*The products conform to following European Directives:*

Direttive / Directives	
2014/30/EU	Direttiva EMC / EMC Directive
2014/35/EU	Direttiva bassa tensione / Low Voltage Directive
2011/65/EU	RoHS / RoHS

Norme armonizzate applicate o riferimento a specifiche tecniche:  
*Applied harmonized standards or mentioned technical specifications:*

Norme armonizzate / Harmonized standards	
EN 61010-1:2010	Requisiti di sicurezza elettrica / Electrical safety requirements
EN 61326-1:2013	Requisiti EMC / EMC requirements
EN 50581:2012	RoHS / RoHS

Il produttore è responsabile per la dichiarazione rilasciata da:  
*The manufacturer is responsible for the declaration released by:*

Johannes Overhues  
Amministratore delegato  
Chief Executive Officer

Caselle di Selvazzano, 30/10/2017



Questa dichiarazione certifica l'accordo con la legislazione armonizzata menzionata, non costituisce tuttavia garanzia delle caratteristiche.  
*This declaration certifies the agreement with the harmonization legislation mentioned, contained however no warranty of characteristics.*



# GUARANTEE

## TERMS OF GUARANTEE

All DELTA OHM instruments are subject to accurate testing, and are guaranteed for 24 months from the date of purchase. DELTA OHM will repair or replace free of charge the parts that, within the warranty period, shall be deemed non efficient according to its own judgement. Complete replacement is excluded and no damage claims are accepted. The DELTA OHM guarantee only covers instrument repair. The guarantee is void in case of incidental breakage during transport, negligence, misuse, connection to a different voltage than that required for the appliance by the operator. Finally, a product repaired or tampered by unauthorized third parties is excluded from the guarantee. The instrument shall be returned FREE OF SHIPMENT CHARGES to your dealer. The jurisdiction of Padua applies in any dispute.



The electrical and electronic equipment marked with this symbol cannot be disposed of in public landfills. According to the Directive 2011/65/EU, the european users of electrical and electronic equipment can return it to the dealer or manufacturer upon purchase of a new one. The illegal disposal of electrical and electronic equipment is punished with an administrative fine.

This guarantee must be sent together with the instrument to our service centre.

IMPORTANT: Guarantee is valid only if coupon has been correctly filled in all details.

**Instrument Code:** LPPYRA03...

Serial Number \_\_\_\_\_

## RENEWALS

Date _____	Date _____
Inspector _____	Inspector _____
Date _____	Date _____
Inspector _____	Inspector _____
Date _____	Date _____
Inspector _____	Inspector _____

